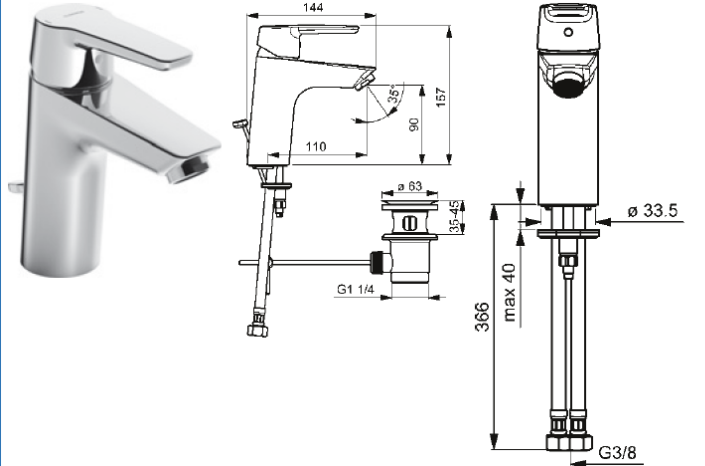


Polo 5150 2293

technical information

	<p>HANSAPOLO XL one-hole single-lever basin mixer, DN 15</p> <p>P-IX* (PA-IX submitted) flow rate: 6 l/min, at 3 bar hydraulic pressure</p> <ul style="list-style-type: none"> • pop-up waste (metal) • connection with flexible hoses G 3/8 – DVGW W270 approved • DVGW in preparation <p>projection: 110 mm spout: fix, cast</p> <p>Item-No. chrome 5150 2293</p>
---	--